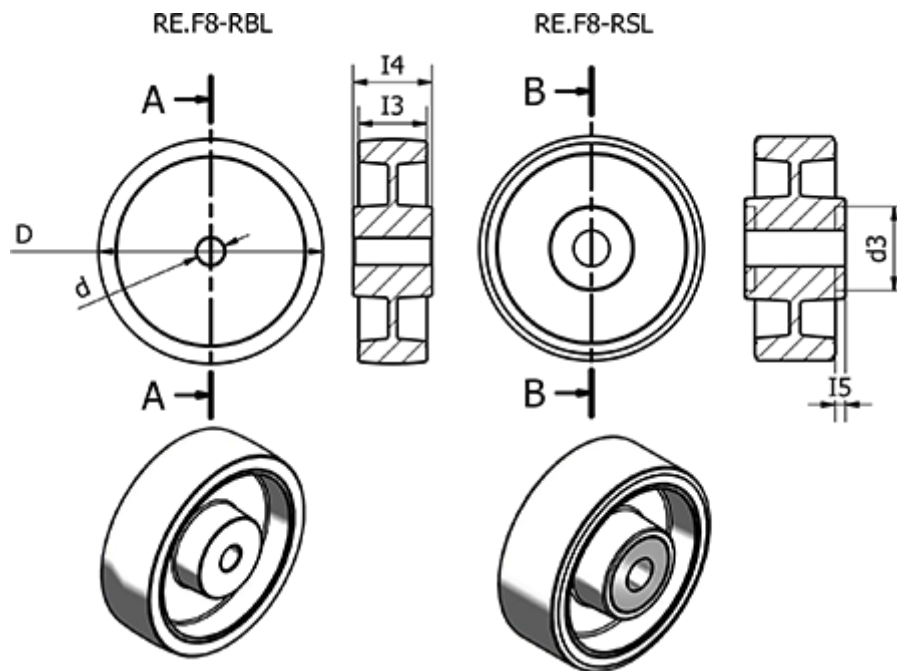


Article number: 2314449451

Description: E+G polyamide wheel

RE.F8-125-RSL - loose wheel with ball bearings in polyamid

## Measures



	= -	Rolling resistance (N) = 4000
Code	= 449451	Static load = 7000
d	= 125	Type = RE.F8-125-RSL
d3	= 47	Wight (g) = 610
Dynamic carrying capacity (N)	= 6500	
I3	= 45	
I4	= 56	
I5	= 13	